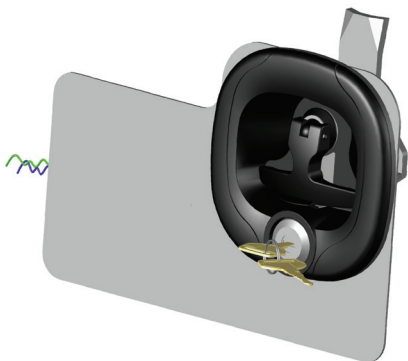


SECTION 7

MIDNIGHT SERIES CENTRAL LOCKING



MIDNIGHT SERIES CENTRAL FOLDING T-LOCKING

Features:

- New modern design
- Heavy duty construction
- New plastic spring clicker
- High security automotive barrel
- Park position with "click" system
- Suit padlock attachment accessory
- Tested to 30,000 cycles (electric mode)

Dimensions:

Height = 140mm
Width = 140mm

Material & Finish:

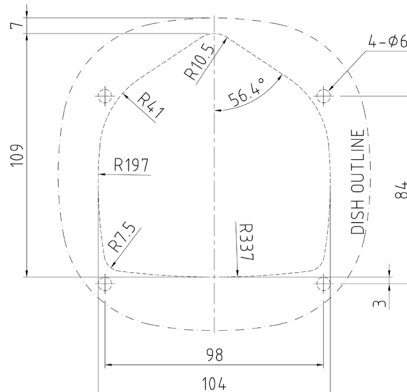
Bracket Zinc die, zinc plated
Cam & Shaft Mild steel, zinc plated

Accessories:

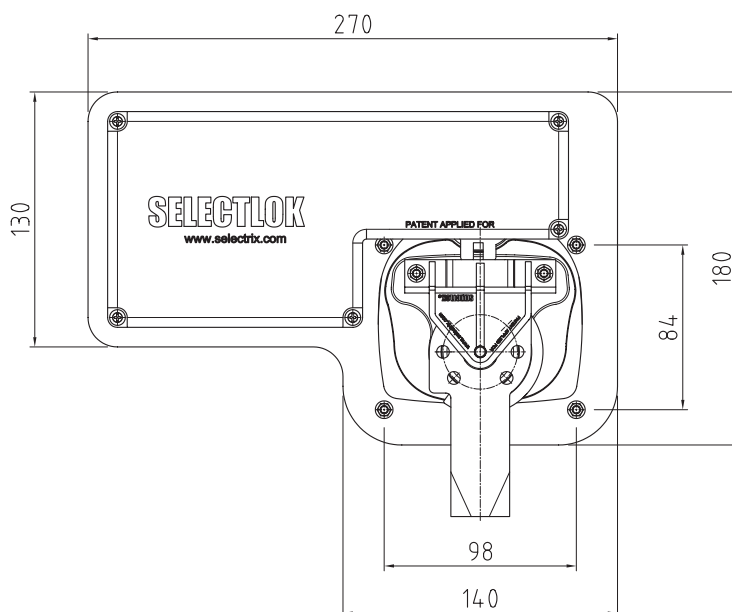
Pins for rods 10502-PIN
Padlock Bracket P3251-22

Multiple key combinations available

Please note: Selectlok/Selectrix reserves the right to alter designs and dimensions without notice.
©Selectrix Industries Pty Ltd and Selectlok NZ Limited.



CUT-OUT



Please note: Add -R to part number for adjustable roller cam, see page 7-12

HANDLE	DISH	PART NUMBER
Zinc die cast, Black satin, EDP coated	Zinc die cast, Black satin, EDP coated	10502-Sx-CL-ZBB
Zinc die cast, Bright chrome plated	Zinc die cast, Black satin, EDP coated	10502-Sx-CL-ZBC
Chrome plated	Chrome plated	10502-Sx-CL-ZCC

Patent/design registration applied for