

SECTION 5

LARGE PADLOCKABLE



LARGE PADLOCKABLE SWING HANDLE

Features:

- Vandal resistant
- Park position with "click"
- Semi flush
- IP65 rated
- 13mm hasp-new cut-resistant
- 90° left & right stopper

Dimensions:

Shaft Length = 68mm
 Square size = 8mm

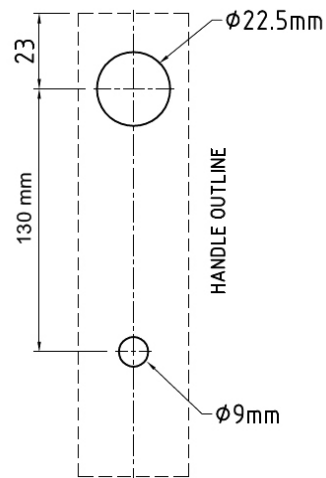
Material & Finish:

Handle Zinc die
 Base Zinc die
 Shaft Mild steel, Zinc plated
 Hasp Hardened Forged steel,
 Chrome Plated

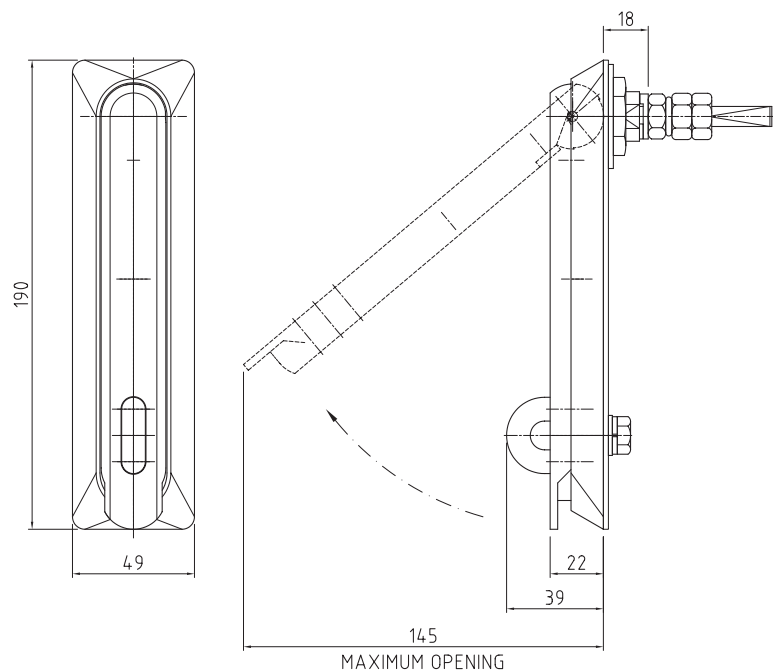
Standard Cams Available:

- 1000-1586 Single point
- 1000-1587 3 point with adapters
- 1000-1588 3 point without adapters
- 1000-1592 Internal handle
- P2535 Emergency internal handle

Please note: Selectlok/Selectrix reserves the right to alter designs and dimensions without notice.
 ©Selectrix Industries Pty Ltd and Selectlok NZ Limited.



SELECTRIX® cut out



Use 1107-BBCH-W for Stainless steel hasp

BASE FINISH	HANDLE FINISH	PART NUMBER
Black EDP coated	Chrome plated	1107-BBCH